

**NOAS**  
SWEDEN®



## **NOAS Washbasin CARE**

**Corian® Solid Surface**



# Washbasin CARE

## Attribute

- Easy to clean and maintain
- LGA certified for hygienic properties
- A non porous material, soft and seamless
- Extremely durable, long life
- Can be easily renewed and repaired
- GREENGUARD Certified®
- High resistance to stains
- Round soft shapes, no sharp corne

NOAS Washbasin CARE has a soft, fine shape with a seamless surface and meets the high availability requirements for easy washing without much effort. Its shape makes it minimal risk of injury and easy to use for both standing and sitting, both children and adults

The material is Corian® Solid Surface, which gives a warm and soft impression. The washbasin is suitable for most environments such as private homes, schools, restaurants, health centers, group homes, nursing homes, hospitals, disabled toilets and other public toilets, where there are high demands on function and sustainability.

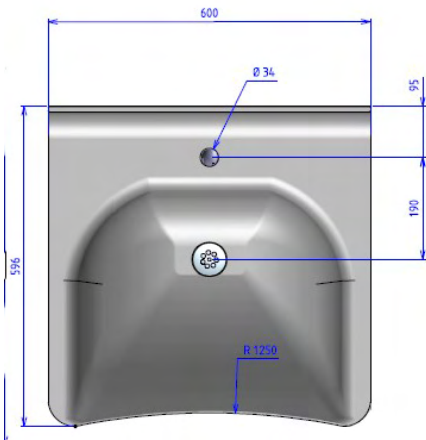
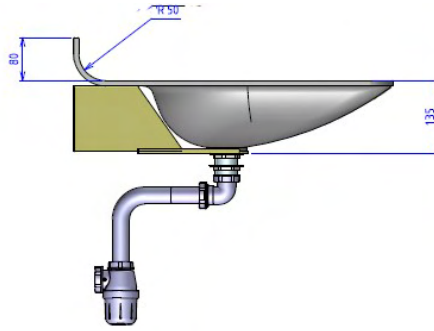
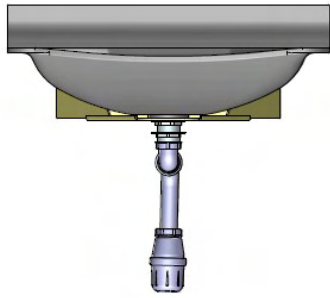
NOAS Washbasin CARE is easy to install both directly on the wall or for Rebase.

Can be ordered in several colors.



VH600-80-GW

# Technical data



	<b>VH600-80-GW</b>		
<b>Width</b>	600 mm		
<b>Depth(Horizont)</b>	596 mm		
<b>Height</b>	205 mm		
<b>Depth (Sink)</b>	~125 mm		
<b>Material</b>	DuPont™ Corian® Glacier White		
<b>Weight</b>	~1,70g/cm <sup>3</sup>		
<b>Static load</b>	120 kg		
<b>Hole for tap</b>		1	
<b>Hole bottomvalve</b>		1	

Console included. The mixer and bottom valve shown in the pictures are for this exposure only but can be ordered. Holes for mixers are 34 mm and holes for bottom valve are 41 mm which is standard.

Headoffice and Manufacture

## Noas Sweden

Fabriksgatan 2  
543 50 Tibro, Sweden

Phone: +46 504-49 51 00

E-mail: [info@noassweden.se](mailto:info@noassweden.se)

Website: [www.noassweden.com](http://www.noassweden.com)



# NOAS

SWEDEN