

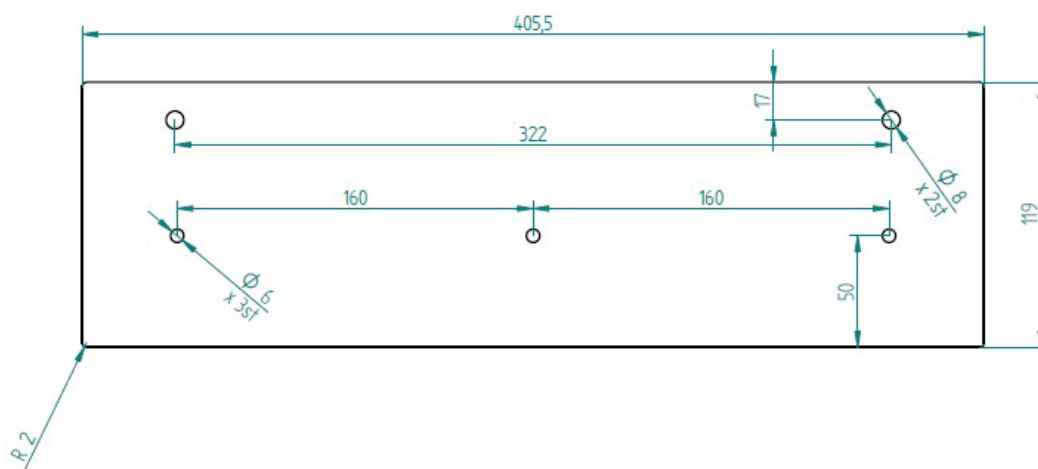
Installation NOAS Washbasin CARE

1) Pick up the parts from the package

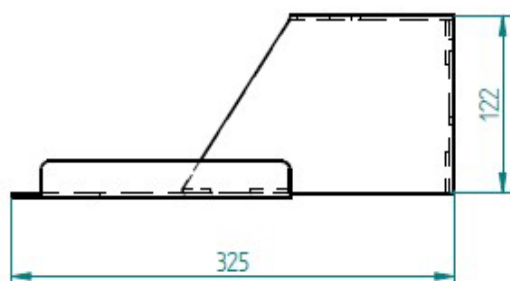
2) Measure out where you want to put the sink and what height. The recommended height for disabled people is 700 – 750 mm from the floor. (Normal height for standing 850 mm)

3) Mark up the holes using the bracket. The dimensions are in the picture. Drill and set up the bracket with screws that fit the wall.

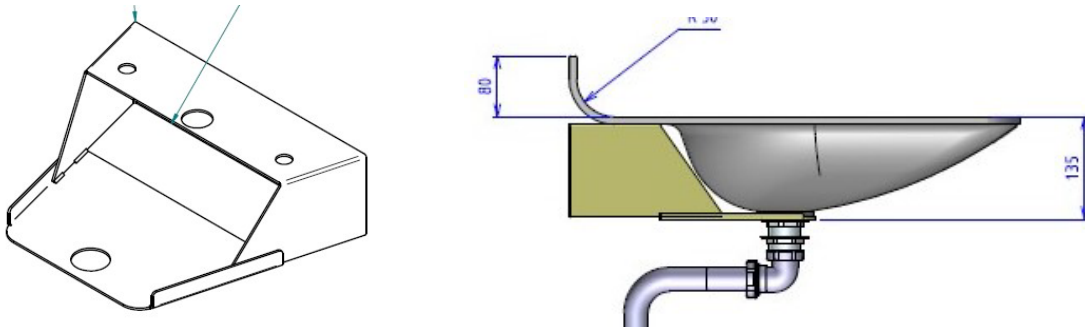
All measures are in mm.



The console should sit like this on the wall. See image below.



4) When setting up the console, it is recommended to put a string of insert glue on the upper part of the console, just above the three holes to get a stable placement. Then place the sinks on the console. See bottom image.



5) Screw the bottom valve through the bottom hole in the sink and the hole in the lower section of the bracket. Tighten tightly.

6) Then screw the mixer through the sink and the upper part of the bracket. Tighten tightly. In this way, lock the sink so that it does not wiggle.

7) Finally, install the water lock in the bottom valve.



www.noassweden.se
info@noassweden.se
Tel:+46 504 495 100