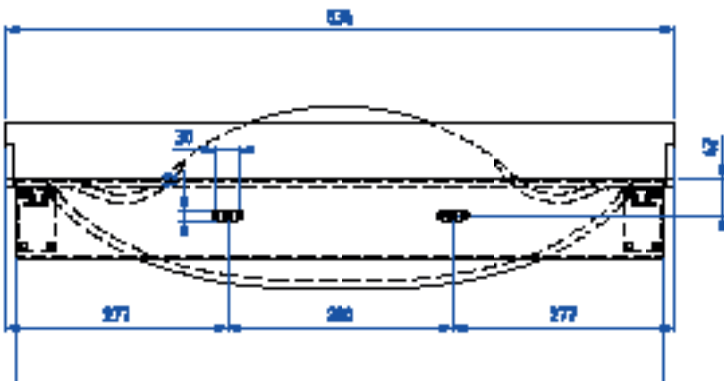


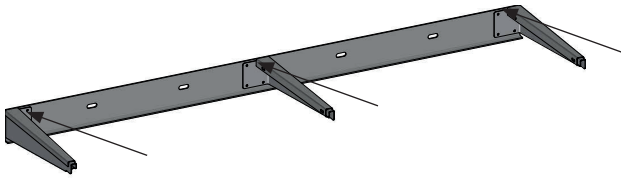
NOAS
SWEDEN®



Installation Instructions

Surgery Sink OV00

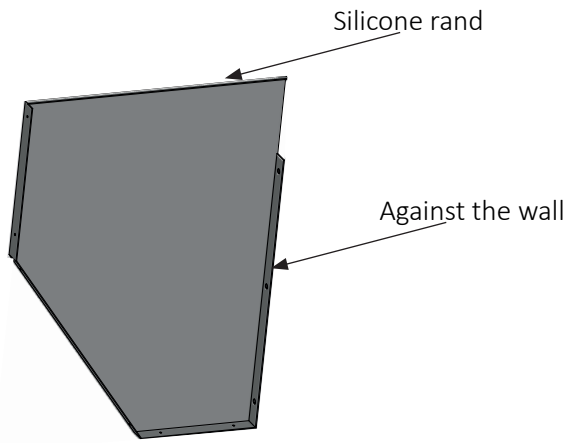
Installation instructions Surgery Sink OV00, single and double



1. Place the sink upside down on soft surface.
2. Loosen the M6 bolts on the brackets.
3. Pull the fastener out of the sink.

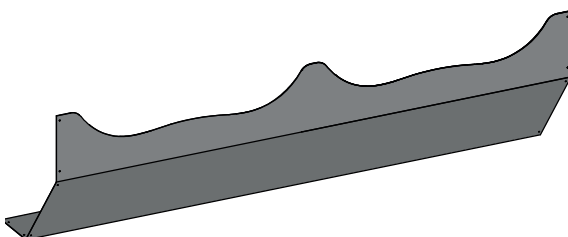


4. Mount the mounting device on the wall on pre-assembled bolts. Spacers may be needed between the mounting plate and the nut / washer if the threads do not go far enough. Distances and nut / washer are not included.
5. Slide the sink onto the brackets.
6. Tighten the sink with the M6 bolts on the brackets.
7. Install the drain.



8. Mount the end plates to the wall. They should be set approx. 2 mm in from each edge of the sink. The CC between the screw holes on the ends should be 1570 mm for double sinks and 810 mm for single sinks.

Apply a thin strand of silicone to the surface of the face-plates that abut the underside of the sink. Screw the end plates into the wall so that they press against the underside of the sink.



9. Install the front plate with the enclosed stainless steel screw.