

**NOAS**  
SWEDEN®

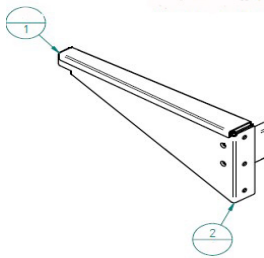


# **Installation Instructions**

## **Surgery Sink-00/02**

## Installation of singel och duoble.

1. Place the scrub "upside down" on a soft surface, with the back up.

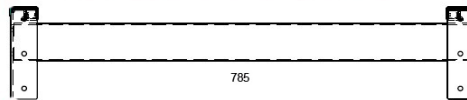


2. Underneath there are two brackets on each side of the sink. Each console is in two parts. Part 1 that is in the sink and Part 2 that is loose and should be mounted on the wall.

3. Loosen the screws that hold Part 1 and Part 2 together. Carefully pull out Part 2.



4. Measure where the operating sink should be located. The recommended height is 950 mm from the floor, note that it is 20 mm from the top hole and up to the top of the bracket and there should be 785 mm on the single sink between the brackets, from hole to hole.



5. Insert the brackets into Solder and screw in all screws. Between the holes that are below each other on the console it is 65 mm. On the Double sink there are three brackets of which the middle is put in the middle (between the rounds see picture last page)

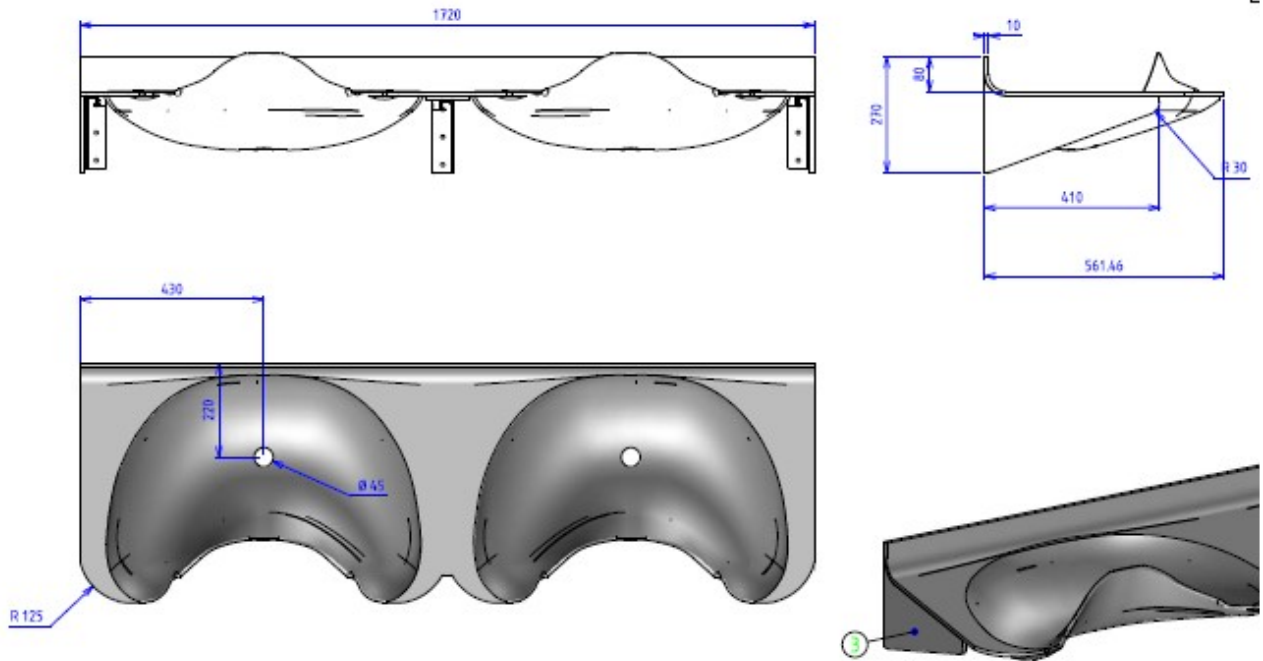


6. When the brackets are securely attached to the wall, the operating sink is switched on, the bracket parts should be fitted and screw in the screws you unscrewed at the beginning, point 2.

7. Place a silicone string on the upper edge of the folded-up in the back of the operating sink. If there is a gap between the fold-up and the wall, you can take mounting glue to attach the folded up to the wall.

*Other information*

- The wall where the sink should be located should be reinforced before hanging due to its weight.
- Taps are recommended to be mounted on 1200 mm measured from the floor IF the sink is 950 mm measured from the floor.
- Frequently requested dimensions are shown in the following:



If you have any questions, contact your nearest dealer or email to [info@noassweden.se](mailto:info@noassweden.se)